



A205

MANUAL OPERATION TABLE

Registration code: SKL-A



SAIKANG / Medical

Healthier
your life

A205

FEATURES AND HIGHLIGHTS

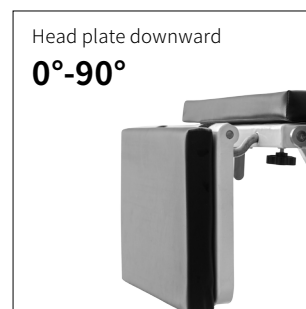
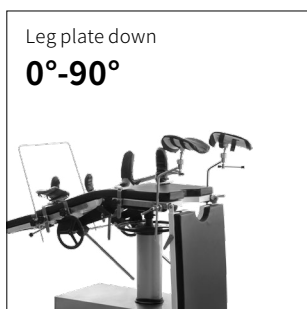
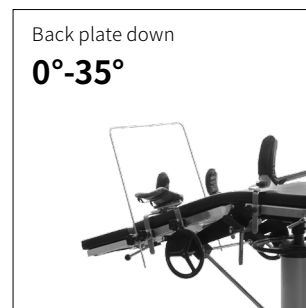
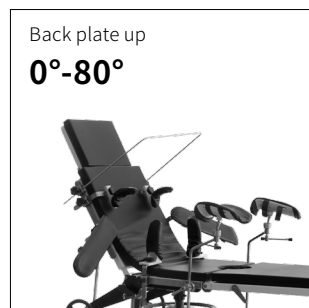
Technical parameters

▪ External size (LxWxH):	2000x480x(700-960)mm
▪ Head plate up/down:	45°/90°
▪ Back plate up:	0-80°
▪ Leg plate down:	0-90°
▪ Safe working load:	150kg

Technical configuration

<input checked="" type="checkbox"/> Arm support	2 pcs
<input checked="" type="checkbox"/> Leg support	2 pcs
<input checked="" type="checkbox"/> Body Support	2 pcs
<input checked="" type="checkbox"/> Shoulder Support	2 pcs
<input checked="" type="checkbox"/> Anaesthetic Screen	1 pc

Professional functions



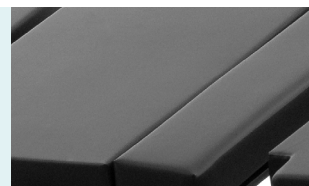
Material

Base structure is made of high-quality 304 stainless steel, robot welded with high strength and modern appearance. Table top is made of steel through epoxy painting, ASTM testing anti-bacterial.



Mattress

Removable memory mattress. Good resilience, anti-static, antibacterial, impact resistant.



Control System

All the functions are manual controlled by screw and rack.



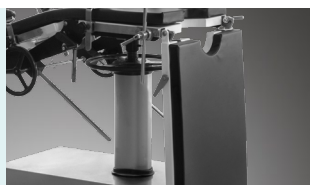
Structure

Full mechanical structure. Simple maintenance, low failure rate.



Leg board

Leg board can be folded down by adjusting the small handle. Leg board down: max. to 90°.



Armrest



Anesthesia Frame



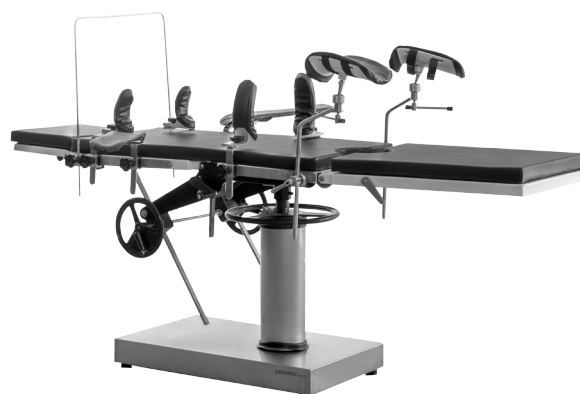
Leg Crutches



Shoulder Support



Body Supporter





CONSTANT INNOVATION



Design



Research



Manufacturing



Maintenance



Service



WORLDWIDE BRANCHES

USA

Saikang Medical Technology, Inc.
17800 Castleton St Ste 180,
City of Industry, 91748, California.
Tel.: +1 949648 2776

United Kingdom

UK Healthward International Ltd.
Dept. 111, 196 High Road Wood
Green, N22 8HH, London.
Tel.: +44 2032399738

Russia

Saikang Medical Russia LLC
Truda 174,
454080 Chelyabinsk.
Tel.: +7 (351) 214 5566 / 8811 / 1516

East Africa

Saikang Medical Solutions Ltd.
Viraj Complex Unit 3, Mombasa
Road, P.O. Box 14262-00800, Nairobi.
Kenya.
Tel.: +254 733 704 690

Middle East

Saikang Medical Supplies LLC
X22-S03 England Cluster,
International City, Dubai.
United Arab Emirates.
Tel.: +20 128 8962497

SAIKANG / Medical

Jiangsu Saikang Medical Equipment Co., Ltd.
STOCK CODE: 870098

📍 No. 35, Lehong Road · Zhangjiagang (Jiangsu) · China

☎️ +86 18021231901 · 🕒 24/7

✉️ sales@chinasaikang.com

🌐 www.saikangmedical.com



Company video



General catalogue